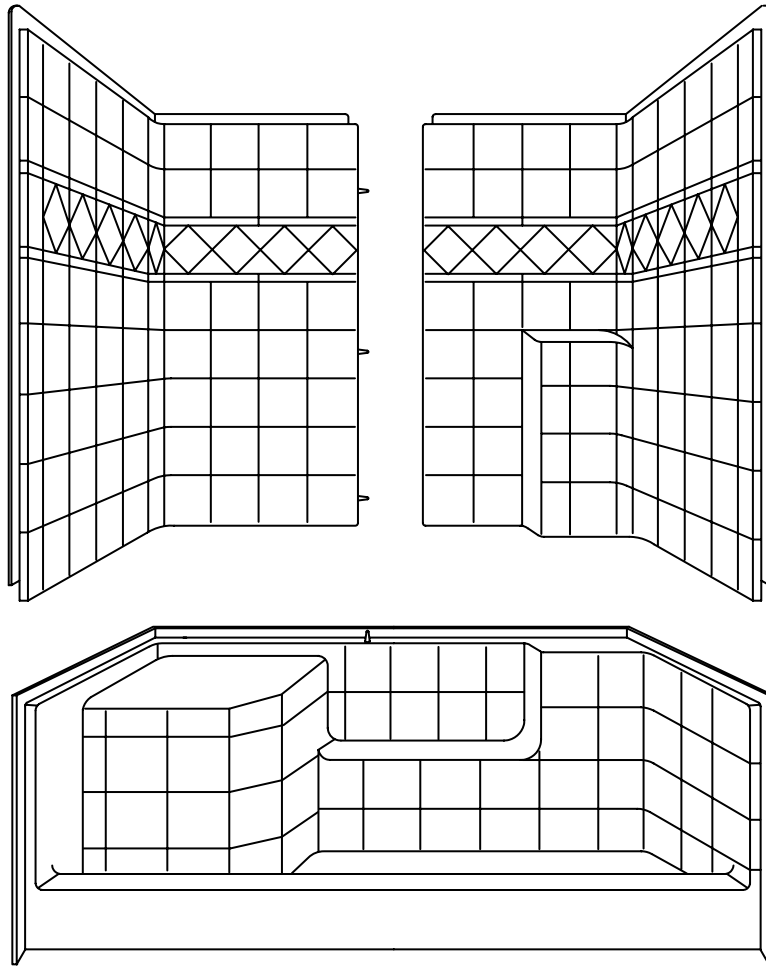


ella

by ella's bubbles



OWNER'S MANUAL

Low Threshold Gelcoat Shower with Molded Seat

6032 SH 1S 3P

ellasbubbles.com

Tools/ materials you might need for proper installation

- 6D galvanized screws
- 100% clear silicone caulking
- caulking gun
- color match surface caulk
- shims
- tape measure
- 1/8" countersunk drill bit
- power drill
- cardboard
- china marker or grease pencil
- furring strips
- construction adhesive
- long spirit level
- mortar mix
- 2'-3' sections of 1/2" PVC pipe
- plumb bob tool

DO'S & DON'TS

1. The back of a fiberglass unit is not waterproof. Unit must be stored so water will drain off and not accumulate in one spot. Water can penetrate the back laminates and soak the glassed in reinforcement supports causing bulges in the gelcoat surface.
2. Most handling damage is the result of impact blows to the back of the fiberglass units.
3. Never drag a fiberglass unit on any surface. Always transport the unit by hand using (2) people or two wheel dolly.
4. Never let a fiberglass unit drop from any height, not even an inch or stress cracks are likely to occur.
5. Placing objects inside the unit can cause scratches or nicks to the finished surface. Do not use the shower as a trash receptacle! Always place a drop cloth or cardboard on the floor when working inside the shower.
6. Never clean fiberglass gelcoat surface with metal tools of any kind, including razor blades.

PLANNING YOUR INSTALLATION—WHAT YOU NEED TO KNOW BEFORE GETTING STARTED

1. Gather the items needed (listed above).
2. Carefully remove the old bathtub at the installation site. The replacement showers are 77" tall so wallboard should be removed on all three walls to at least this height. Measure the framing pocket to insure the framing area and stud walls are square and measures: 60 1/4" wide x 33 1/4" deep. The floor must be clean, solid, and level. Relocate drain in floor if required. There is a 6" cutout around the drain area.

See framing diagram in Figure 1 for more information.

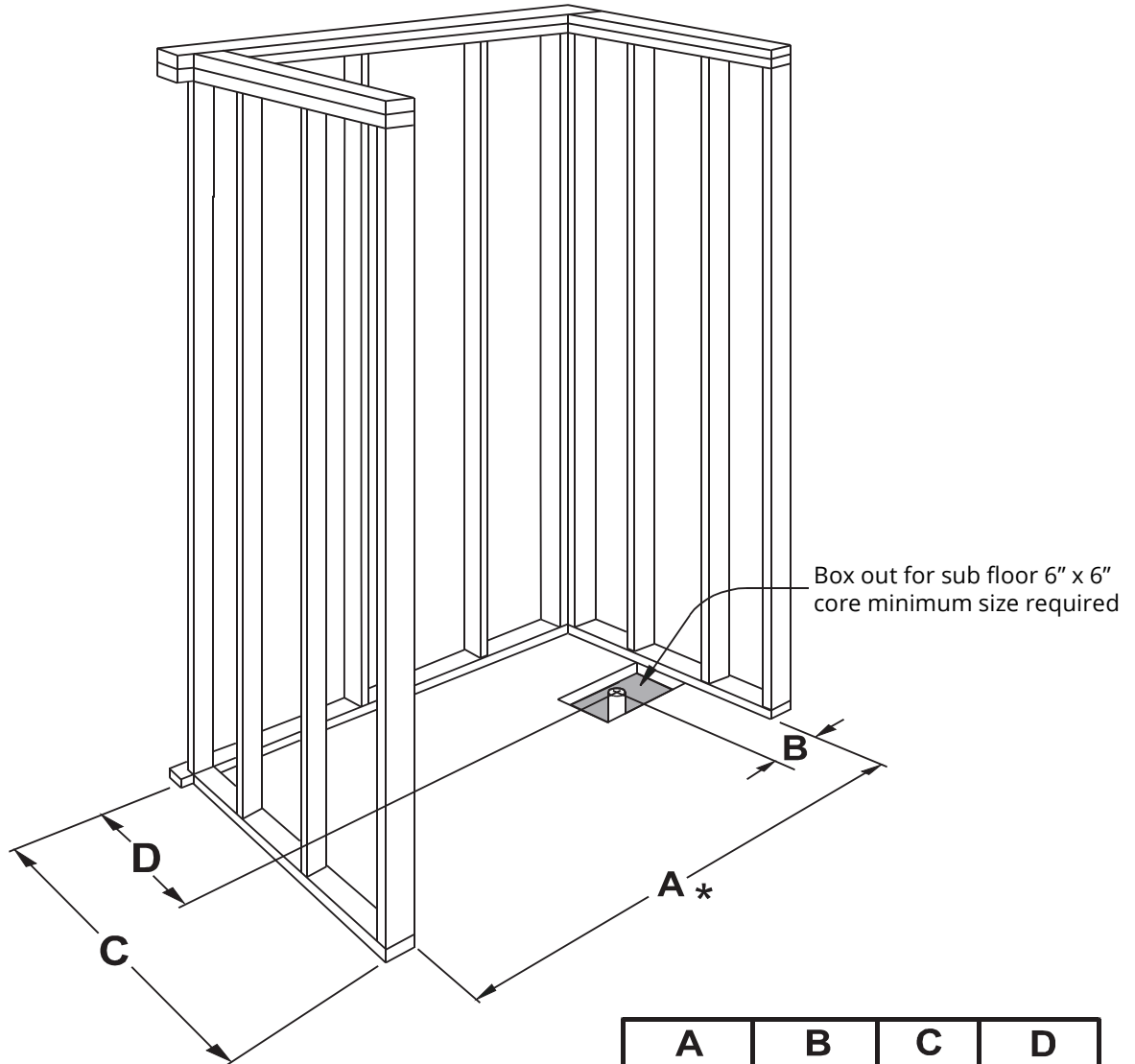
3. Review the framing diagram in Figure 1. Modify existing framing if required. For new construction, build framing structure in accordance with product dimensions and notes shown in the framing diagram.
4. The shower base will be installed, leveled, and fastened to the framing before the walls are installed. Shimming is recommended. See Figure 2
5. Always place cardboard or a drop cloth on the shower floor and top of seat to protect the finished surface from scratching and damage.
6. When installed, the wall sections will not be mechanically fastened together, or to the shower base. The wall sections will be installed tight to each other and the shower base with the silicone in the seams providing a water resistant seal. These positions will be maintained when the shower flanges are fastened to the framing. The base must be solidly installed so the seams between the shower base and wall sections will not separate, allowing water to penetrate the wall cavity.

INSTALLATION WARNING: This model is not designed to be installed as a one piece unit. The base shall be self supported with provided wood shims to support the shower base, and fasteners shall support the flanges prior to installation of the wall sections. This procedure will ensure caulked joints or seams will not separate, allowing water to penetrate the wall cavity. FAILURE TO COMPLY WITH INSTALLATION INSTRUCTIONS MAY VOID YOUR WARRANTY.

NOTE: Your level and your plumb bob may tell you the framing is not perfectly square or level. This is a common experience. Do not assume your stud walls are straight or plumb. Adjustments to your vertical framing and subfloor are most often necessary.

FRAMING DIAGRAM FOR 3 PIECE SHOWER

FIGURE 1



* Framing pocket required to provide 60" minimum and 60 1/4" maximum width x 33 1/4" deep

A	B	C	D
60"	9 1/2"	33 1/4"	15 3/4"



FIGURE 2



FIGURE 3

INSTALLATION INSTRUCTIONS

1. Carefully remove the three parts from the packaging and inspect the shower closely for any shipping damage.

It is very important to dry assemble the shower in an open space for the purpose of inspecting the shower for fit, finish and defects before moving the shower into the construction area. Check to ensure that the gaps are consistent. You may notice the front corners of the wall are slightly pulled inward up to 1/2". This is normal as the wall will flex and pull into the studs.

Report any damage, defects and concerns. At this point take digital photos as a time stamp document. This will protect your investment, verify the condition of the product- as it was received, speed the assessment and correction process if required.

Disassemble the shower and set the wall sections off to the side and move the shower base in front of the framing pocket opening.

2. Use care when handling the shower parts to avoid scratches or stress cracks from excessive flexing.

3. Install the drain fitting on the shower. Follow drain manufacturers instructions. The manufacturer is not responsible for leaking drain connections.

4. Place cardboard or a drop cloth on the shower floor and on the top of the seat to avoid scratching the surface.

5. Locate wood shims in the framing pocket. Carefully measure to ensure the proper placement of these shims so they are supporting the back edge of the shower base. These shims may be placed after the base is installed if the framing is open as shown in Figure 2.

If rear access is not available, a thin-set mortar mix may be used in place of shim to fill the gap beneath the support leg and the sub floor. Pour thin-set mortar mix to a minimum height of 1 inch in the area directly below the support leg only to ensure proper base to floor contact. Do not step into shower before leveling and fastening to stud wall with screws.

6. Carefully place the shower base into framed pocket. **TIP:** Place two 3 foot sections of PVC pipe on the floor beneath the front apron of the pan as shoe horns or slides to assist.

Use care not to knock the support shims loose or disturb mortar bed when moving base into permanent position.



FIGURE 4



FIGURE 5

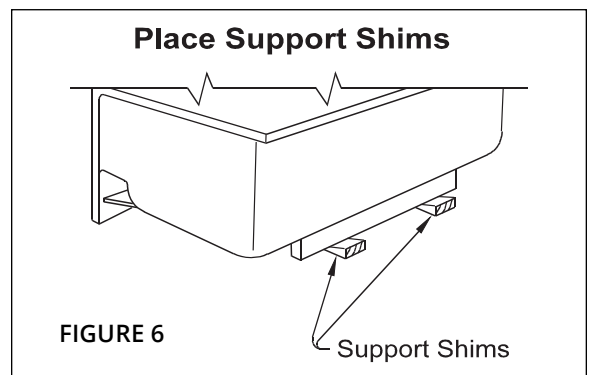


FIGURE 6

Support Shims

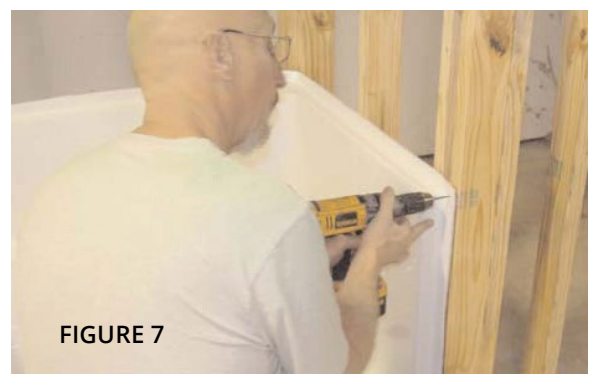


FIGURE 7

Do not slide shower base on protruding drain fitting. See Figure 3

7. Once unit is perfectly level, use marker or grease pen to mark studs at top and bottom edge of flanges as a visual guide. Use 1/8" countersinking bit to drill pilot holes. Recheck Level as you fasten to studs to ensure base has not shifted off level. See Figures 4 and 5

8. If shims are used, check the wood support shims to be certain they are tightly wedged in between the floor surface and the back leg of the shower. Once the shims are in place glue or nail the shims to the sub floor to eliminate any movement. See Figure 6

9. Your shower base shall be equipped with one vertical alignment pin protruding from the base located on the center of back wall toward seat side of shower. This pin properly aligns the first back wall panel to be installed.

10. Drill holes with the 1/8" countersink drill bit. Using 6D galvanized screws, secure the shower base to the framing. Tighten the screws snug and tight to the gelcoat surface, but be careful not to over tighten and break fiberglass flange. It is recommended to use countersinking drill bit which will allow the screw head to be flush with the flange surface. Large screw heads can protrude interfering with wall assembly. See Figure 7

NOTE: Shims or furring strips may be used to assure solid contact between the fiberglass mounting flange and the studs.

11. Complete a final check to ensure your base is level, secured to all three walls, the support leg makes contact with the subfloor and you have a slope to the drain. Now you can complete the shower drain connection. See drain instructions.

12. Dry-fit the seat wall first. The center grout lines of the base and wall should align. See Figure 9

You will find a single alignment hole on the bottom of the seat side wall panel.

If the base is level and the wall studs are vertically plumb, the wall will rest properly with consistent gap line.

NOTE: If gap is larger in the corner the base is not level or the stud wall is not plumb. Notching the stud wall to allow the wall to rest level on the base may be necessary. The dry fit inspection procedure in step one confirms your shower if pre-aligned and free of defect. Compare the gap with the photos of the shower you took during dry-fit procedure. Correction is needed if the gaps look different.

Once seat side wall panel aligns properly and gaps are consistent, dry fit valve wall panel before installing valve on stud wall. When both panels align properly remove both panels.



FIGURE 8



FIGURE 9

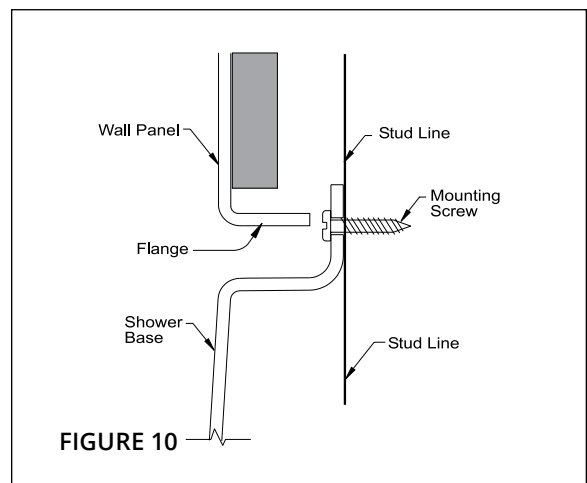


FIGURE 10

Prepare the seat side wall for permanent installation. Apply a bead of caulk on the shower base from the front corner to the center line of back wall using 100% clear silicone adhesive caulk. This procedure will prominently adhere the wall to the base and seal off any moisture from the wall cavity.

NOTE: Cosmetic caulking will be required in a later step.

Place wall on base and align into permanent position. Drill holes through flanges and secure flange to stud wall using flat head screws drawing the panel to the wall until wall and base surface is equally aligned.

NOTE: Panel may need to be pulled to the stud on the front side of the wall shimming where necessary.

13. After mounting the valve to the stud wall, carefully transfer the valve location to the wall panel. Cover the surface area with masking tape to prevent chipping of finish before cutting hole.

After the valve hole(s) are cut, lift the wall back into place to trial fit. Adjust holes or valve if necessary, keeping in mind the need to make sure the seams and grout lines continue to line up and there is a consistent gap on vertical and horizontal seams.

NOTE: Plumb stud walls and level floors are the exception rather than the norm. Some adjustment is usually necessary. When the valve location is correct and the gap is visually consistent on vertical and horizontal seams, your dry fit procedure is complete.

14. Temporarily remove the valve wall off the base to prepare for permanent installation.

Permanently install the wall by angling the wall to align the center seam pins. Rotate wall to clear the rough in valve.

NOTE: Run an unbroken bead of caulk the entire length of the halfway point and circle shipping bolt holes and pin.

See Figure 11: Use 100% clear silicone adhesive caulk on horizontal and vertical interior joint surfaces. Color surface caulking will be a later step. Clear caulking on inner seam is recommended.

15. Push center seam together hand tight. Wipe clean any excess caulk that squeezes out from the interior seal.



* Apply silicone to front side of ridge

16. Measure, and mark locations for mounting holes on the flanges of the wall panels. Mark horizontal so each hole matches up with a stud, (16" on center). Mark every 8" on center for the vertical flanges at the front of the unit. Drill a 1/8" diameter screw hole at each mark.

Use 6D fastener screws to draw nailing flange to wood studs. Shim where necessary.

RECOMMENDED CAULKING

ALL GELCOAT FINISH MODELS:

100% RTV silicone adhesive caulk- clear, or matching white or bone for inside the seam.

ALL SOLID SURFACE FINISH MODELS:

Two caulks recommended for best results: For seams (areas that will not be visible) 100% RTV clear silicone adhesive. The function of this caulk is to mechanically bind the shower parts together.

For Visible Surfaces - premium color matching caulk for cosmetic function to blend with surface and erase seams.

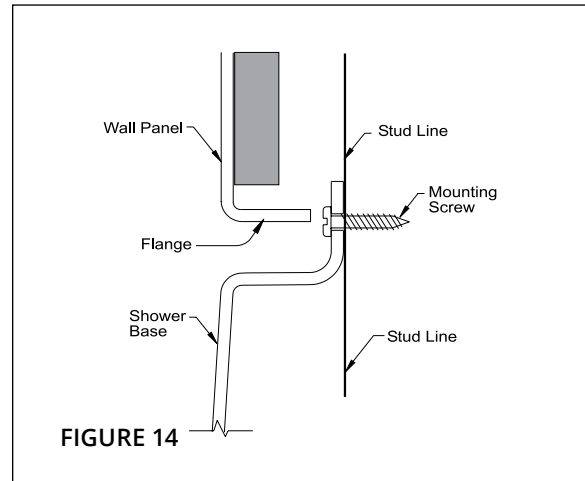
17. Surface caulk all joints with a premium color match caulk wiping all surface excess clean.

See caulk instructions for proper curing time before use of shower. See Figure 12. See close up view in Figure 13

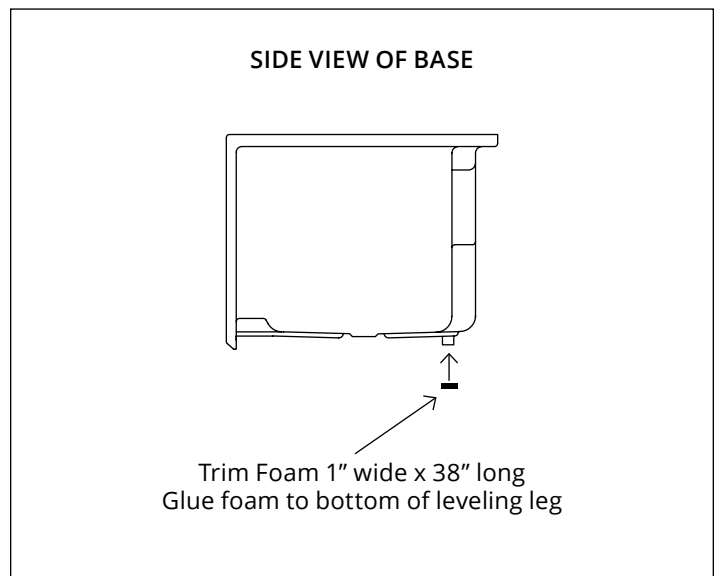
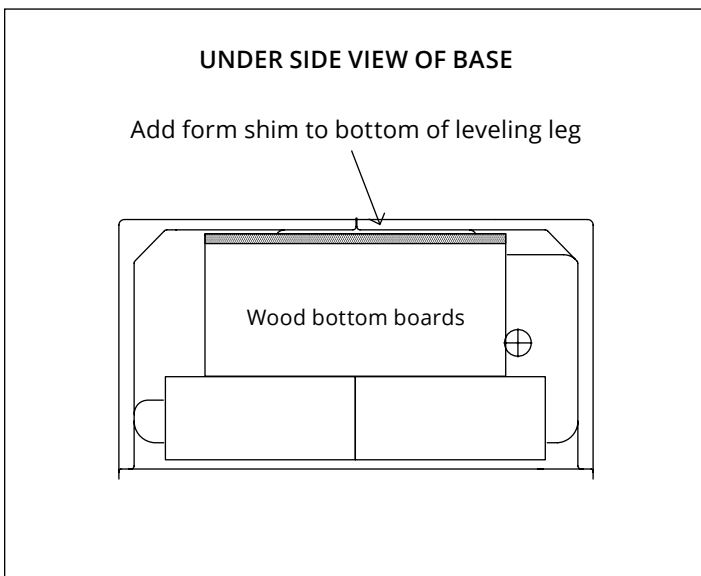
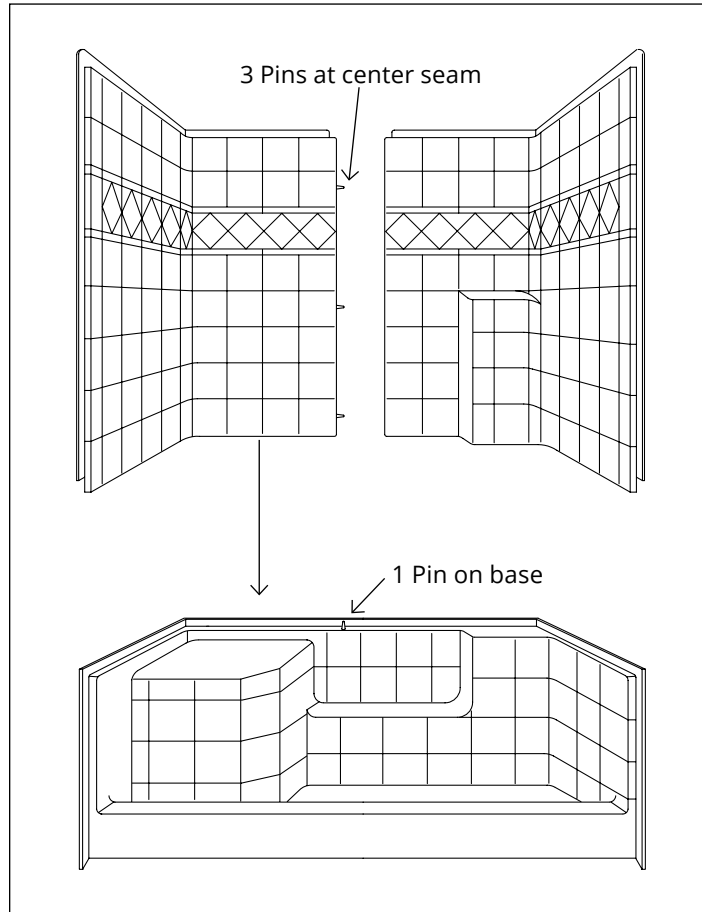
Assure that the vertical and horizontal grout lines remain in alignment. Fasten the vertical flanges at the front on both walls.

Install finish trim around the water control valve, per the manufacturers provided instructions.

18. Apply premium color matching surface caulk to finish seams. Smooth caulk and clean away excess before cure. See caulk directions for curing time. Do not use shower until caulk is cured.



INSTALLATION DIAGRAM





Low Threshold Shower with Molded Seat

Gelcoat & Solid Surface Bathware

LIMITED WARRANTY

Ella's Bubbles, LLC., distributor of private labeled showers, manufactured by Praxis Companies for Ella's Bubbles, warrants by Praxis Companies to the owner of its gelcoat fiberglass shower units as follows:

Units manufactured of fiberglass reinforced polyester resin, that it will, free of charge, repair any Praxis Companies unit found to be defective in material or workmanship upon inspection by an authorized representative of Praxis Companies for a period of thirty (30) years from the date of purchase.

The exchange of a unit is limited to supplying a replacement unit of comparable size and style and does not include any cost of removal or installation.

Any component part supplied by Praxis Companies carries the same limited warranty provided by our supplier for a period of one (1) year. Any Praxis Companies product will carry a thirty (30) year limited warranty against manufacturing defects. This warranty shall be voided if the unit is moved from its place of initial installation or is not installed in accordance with the instructions supplied by the manufacturer of the unit. Further, this warranty does not apply if the unit has been subjected to accident, abuse, misuse, damage caused by flood, fire, or act of God.

The owner agrees by use of the unit that the obligations of Praxis Companies shall not exceed to contingent or indirect damage or injury to the structure of its contents, that the obligations of Praxis Companies are limited to those set forth herein, and that no other obligations, expressed or implied, are assumed by Praxis Companies or Ella's Bubbles.

All mailing notification must be sent via certified mail to:

Ella's Bubbles, LLC.
Warranty Department
2101 S. Carpenter Street
Chicago, IL 60608

Email: info@ellasbubbles.com

TOLL FREE: 1-800-480-6850

INSTALLER'S INFORMATION

Name _____

Address _____ City _____ State _____ Zip _____

Telephone _____ Email _____

Date _____ Signature _____

Upon completing the installation of an Ella Walk In Bath, the following Warranty Activation Form must be completed, signed by both the customer and installer, and returned to Ella's Bubbles, LLC. In order for the Warranty to be activated (faxed, scanned, or emailed, or hard copy mailed).

TO BE INITIALED BY THE INSTALLER(S)

- _____ Tub is level in all directions and all support legs are touching the ground.
- _____ Tub is installed on a dedicated 30 Amp GFCI protected circuit using 10 gauge wire
- _____ Frame of the tub has been properly grounded.
- _____ Door Seal has been cleaned with rubbing alcohol to remove any dust or debris left over from construction.
- _____ Temperature Control Valve operated on both hot and cold settings.
- _____ Both diverters function properly.
- _____ Hand Shower functions on all settings without leaking.
- _____ All supply lines have been checked for leaks while both diverters are on.
- _____ Drains open and close properly, and the locking nut has been tightened on both stoppers.
- _____ Door seal is water tight after tub has been filled for a minimum of 20 minutes.
- _____ After running for a minimum of 20 minutes both the Hydro and Air Pumps are functioning properly and all connections to the pumps and jets are water tight.
- _____ Chromatherapy Light and the Ozone Sterilization are working properly. (When the Ozone is on by itself it will make a light humming noise).
- _____ All drain fittings have been checked for leaks while the tub is draining.
- _____ Unit is installed with access to both plumbing and electrical connections.

OWNER'S INFORMATION

Name

Address

City

State

Zip

Telephone

Email

Date

Signature

Model

Serial Number

Purchase Date

Purchase Price

Place of Purchase

Contact Name

Telephone

**** Copy of sales receipt must be included with warranty activation forms.**

To activate manufacturer's warranty, please complete both pages and use one of the following options below to submit.

Mail: Ella's Bubbles, LLC.
Warranty Department
2101 S. Carpenter Street Chicago, IL 60608

Fax: 1-312-666-3551

Email: warranty@ellasbubbles.com