



ELLA AIR
Wall Mount Vanity
with Cultured Marble Top

SPECIFICATIONS



FSC License Code
FSC-C125053



Available Colors

EBONY

DARK WALNUT

WHITE OAK



Wall Mount Cabinet

Minimalistic Design with Push to Open Under-Mount Slides

Actual Size

Length: 24,75" • (62.9cm)

Width: 19" • (48.3cm)

Height: 20" • (50.8 cm.)

Shipping Size

Length: 25,15" • (63.9cm)

Width: 19.40" • (49.3cm)

Height: 20,62" • (52.4 cm.)

NET WEIGHT

Length: 00LBS • (0Kg.)

SHIPPING WEIGHT

Length: 0LBS • (0Kg.)

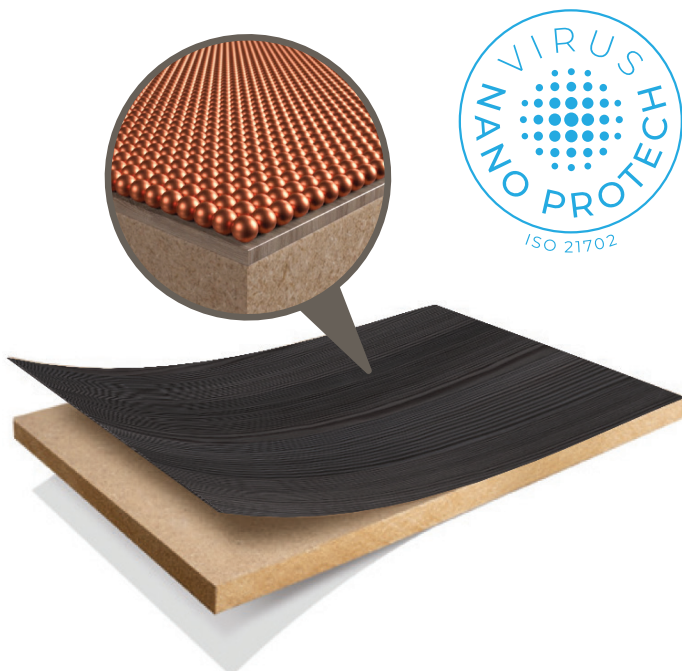
DESCRIPTION

2 drawers, zero gap. Top drawer with U-shape for sink drain and three compartments. Bottom drawer with a single compartment.

Luxury design with Undermount Push to Open slides for easy opening. No handles

MDF High Quality Arauco Melamine coating.

Options available for finishes and colors.



MATERIAL

MDF

Medium Density Fiberboard
High quality Melamine coating.

Protection of **Virus Nano Protech** copper nanoparticles, with antiviral and antibacterial effectiveness.

Excellent resistance to surface wear

Textured Wood finish

Build with Environment Friendly Boards





This sleek and modern wall-mounted vanity with a cultured marble top features two spacious cabinets with soft-close doors and an easy push-to-open system, providing convenient storage for your bathroom essentials. The vanity is also pre-drilled for a single-hole faucet, making installation easy.

This vanity is perfect for small bathrooms as it helps create a more spacious and open feel. It's also an excellent choice for those seeking a stylish and contemporary bathroom design.

Colors and Finishes

Ebony



Dark Walnut



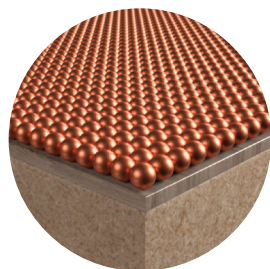
White Oak



Ella's vanities are constructed using a collection of boards manufactured in Mexico by Arauco, the world's first Natural Carbon Certified forestry company. This certification signifies that, through its native forests and forestry plantations, Arauco captures more CO₂ than it generates throughout the entire production process. Additionally, Arauco's products originate from sustainably managed forests certified by the FSC.



Environmentally friendly product.



The Arauco Melamine collection of boards features Virus Nano Protech protection. This technology, which utilizes copper nanoparticles, is capable of eliminating up to 99.9% of viruses and bacteria from the melamine surface after 60 minutes of contact and is effective against the virus that causes Covid-19*.

The product is certified to ISO 22196 for bacteria and ISO 21702 for viruses.

*Effectiveness studies were conducted on Human Betacoronavirus OC43, which is considered to be in the same family and subfamily as SARS-CoV-2.



Cultured Marbel Top

| White Glossy Finish

Actual Size

Length: 25,19" • (64cm)

Width: 19.09" • (48.5cm)

Height: 4.96" • (12.5 cm.)

*Measurements can vary +/- 1/8"

Shipping Size

Length: 27.3" • (69.5cm)

Width: 21.2" • (54cm)

Height: 12.4" • (31.5cm.)



- Faucet is not included. -

NET WEIGHT

Length: 19.8LBS • (9Kg.)

SHIPPING WEIGHT

Length: 20.7LBS • (9.43Kg.)

*Weight can vary +/-100-200gr.

DESCRIPTION

Isophtalic/isophtalic npg gelcoat finish.

Meets ANSI-Z-124.3 standard for acceptability of a sink as a plumbing accessory.

Single faucet hole cultured marble top.

ANSI-Z-124.3 Acceptance Testing.

A) General requirements.

- Dimensional tolerance.
- Installation instructions.
- Maintenance and care instructions.

B) Manufacturing and finishing.

C) Structural unit of complete unit.

- Impact resistance.
- Residual bending.
- Color resistance test.
- Resistant to staining test.
- Wear and ease of cleaning.
- Cigar test.
- Thermal shock test (2500 cycles).

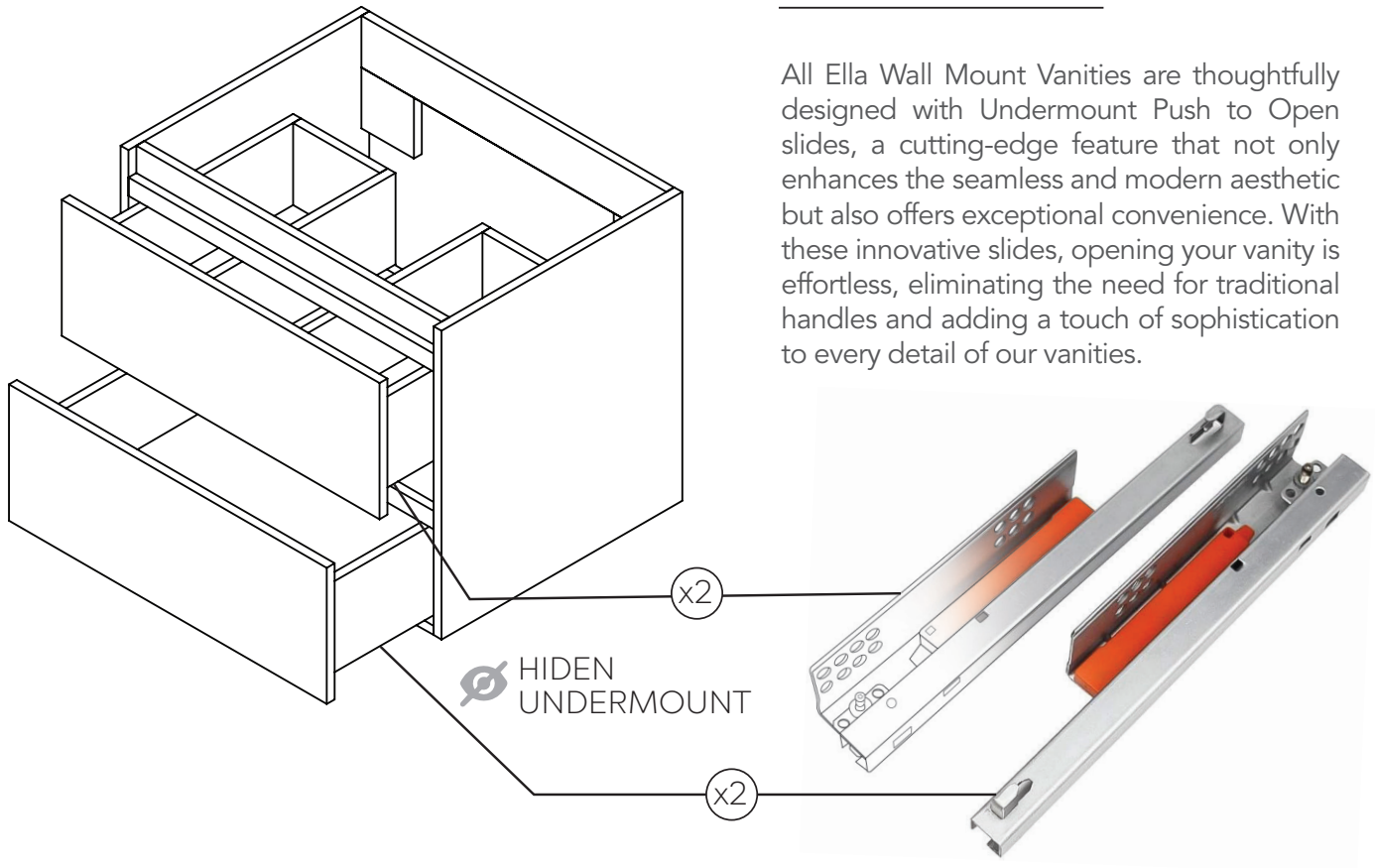
MATERIAL

Manufactured with unsaturated polyester resin, mineral fillers and/or recycled glass.

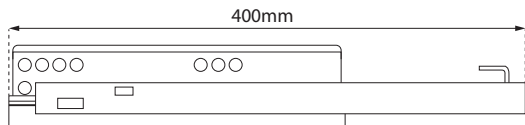


PUSH TO OPEN UNDER-MOUNT SLIDES

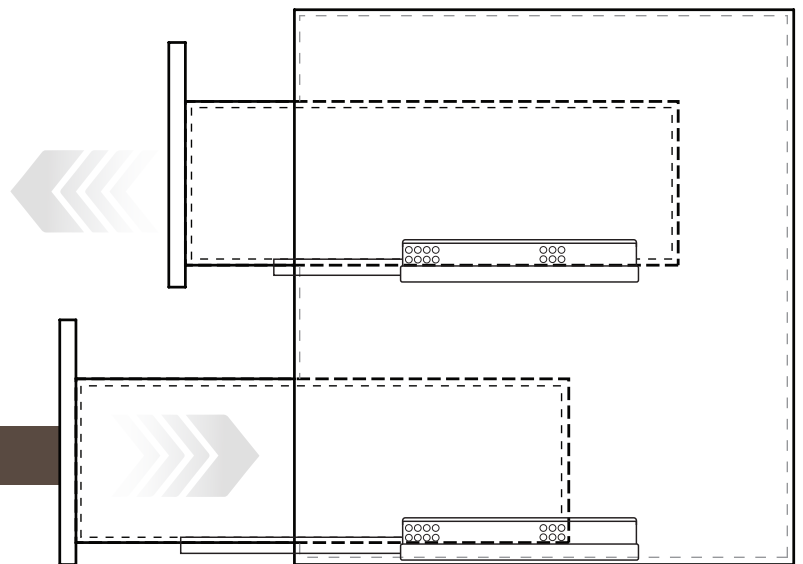
All Ella Wall Mount Vanities are thoughtfully designed with Undermount Push to Open slides, a cutting-edge feature that not only enhances the seamless and modern aesthetic but also offers exceptional convenience. With these innovative slides, opening your vanity is effortless, eliminating the need for traditional handles and adding a touch of sophistication to every detail of our vanities.



ELEGANCE,
EXCEPTIONAL DESIGN,
EFFORTLESS USE.



No handles needed

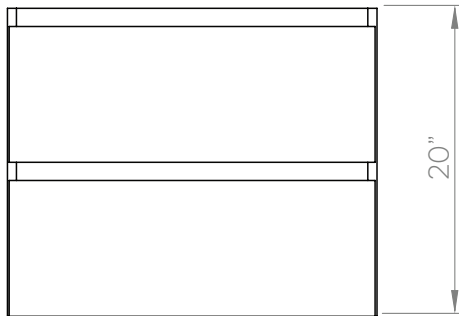




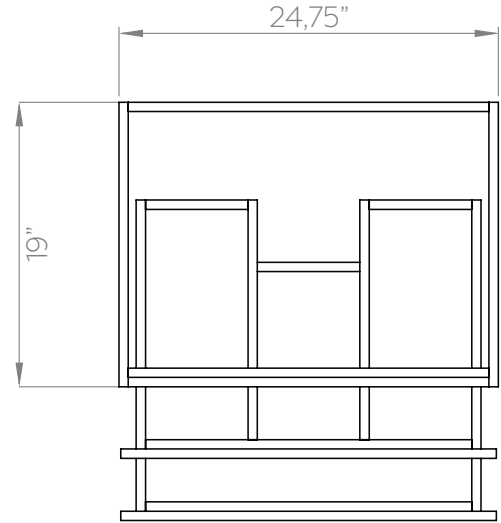
Views & Size

Wall Mount Cabinet

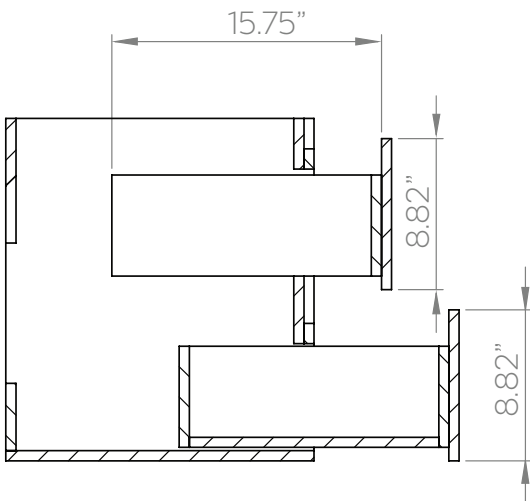
FRONT VIEW



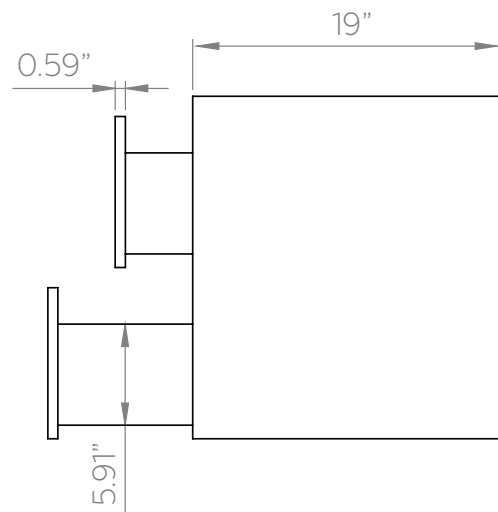
TOP VIEW



SIDE VIEW



SIDE VIEW



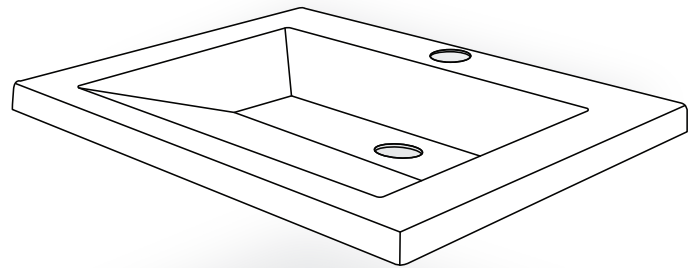
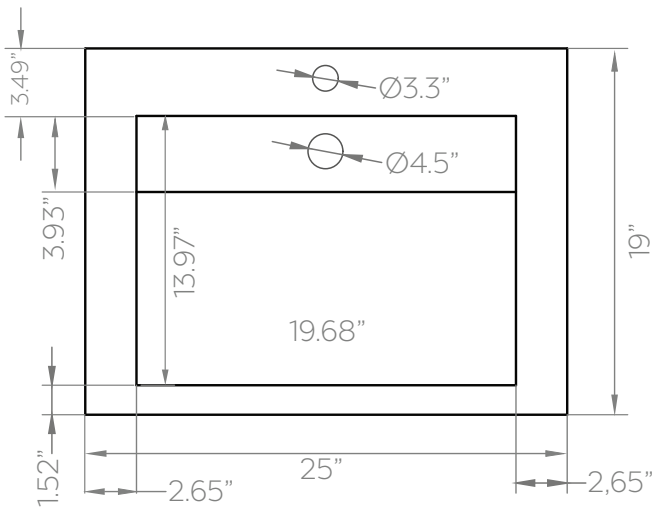
*Measurements can vary +/- 1/8"



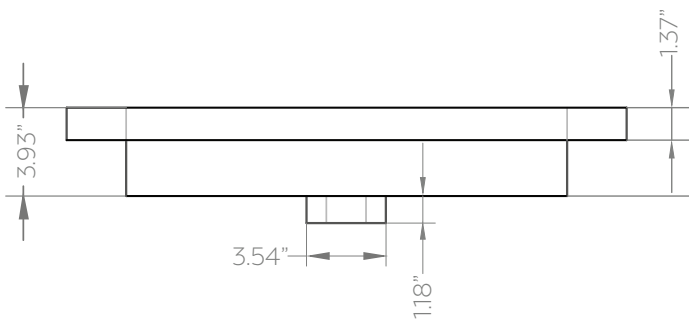
Views & Size

Cultured Marble Top

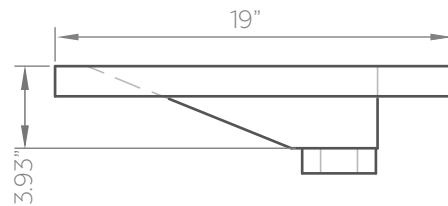
TOP VIEW



FRONT VIEW



SIDE VIEW



*Measurements can vary +/- 1/8"



The melamine surface of the vanities has a closed and pore-free composition, which makes cleaning and maintenance very easy. This quality also enhances their resistance to daily wear and tear.



Cleaning Recommendations

For daily or light cleaning of your Ella furniture, simply use a lightly dampened soft cloth to remove dust or surface dirt, and be sure to dry the surface afterward. For stubborn stains such as glue, paint, crayon, grease, varnish, or scale, consider the following options:

- Mix one tablespoon of bleach per liter of water, lightly dampen a soft cloth with this solution, clean your furniture, and then dry the surface to remove residue.
- Lightly dampen a cloth with a 50% alcohol + 50% water solution.
- Slightly dampen a cloth with thinner



Only in extreme cases will it be necessary to resort to cleaners that aid in this process. However, it is important not to overuse these cleaning agents or use them on a daily basis; their usage should be moderate and reserved for occasional use.

DO NOT USE

- ⊘ Caustic Soda
- ⊘ Muriatic Acid
- ⊘ Scale Remover
- ⊘ Kitchen Detergents
- ⊘ Multipurpose Cleaners
- ⊘ Abrasive Cloths and Fibers
- ⊘ Lemon Juice
- ⊘ Vinegar
- ⊘ Baking Soda
- ⊘ Furniture Polish Waxes
- ⊘ Automotive Waxes
- ⊘ Any Kind of Wax